



# EBE-II Supper 3 IN 1 Instruction

## Electronic Ignition & Battery Monitor & Extra BEC II

### Brief Describe :

EBE-II include Electronic Ignition, Battery Voltage Monitor and UBEC, 3 In 1 on board. it's solid and easy use. especially for that with narrow engineer operate space and not easy apply traditional Ignition.

### Features :

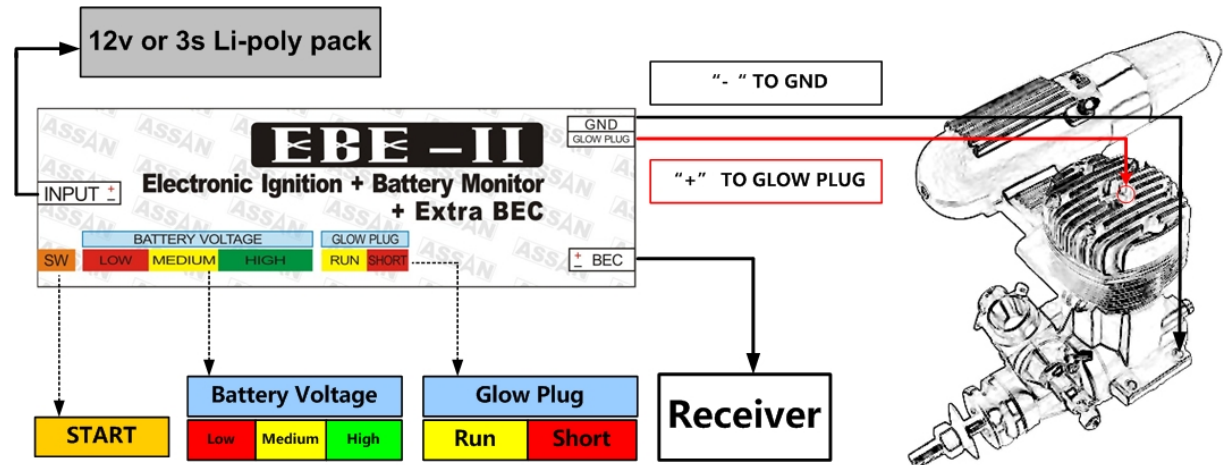
- ◆ Switch control delay engineer start ;
- ◆ LED indicate Ignition working or not ;
- ◆ Line LED' s show batter voltage ;
- ◆ 12V or 3s Li-poly pack as power supplier ;
- ◆ Isolate output in UBEC and Ignition ;
- ◆ Short protect ;
- ◆ Anti incorrec input direction ;

### Work Condition :

- ◆ Input Voltage : DC 12v
- ◆ Max Ignition Current : 3Amp
- ◆ UBEC current : 3Amp continous,5Amp Max.
- ◆ Heat Glow Plug time : 10s
- ◆ Idle current : 10mA~100mA
- ◆ Size : 80 X 24 X 9mm
- ◆ weight : 20g ( not include wires )

### Note :

EBE-II is design for R/C application only.  
Please fellow all the law or the rule in your local R/C apply.



### Instruction :

- 1 . Connect the wires and connector as the top picture show. If the input battery with wrong direction, the item will not work only.
- 2 . Power on EBE-II, Battery Voltage indicate LED' s will light all, the system will run self check software first, at this condition, Yellow LED in GLOW PLUG will light and send power to the Glow Plug. if you don' t want start your engineer at this time, don' t Pull your prop or do any other start prepare action, this is import to keep you outside dangerous.
- 3 . After the self check finished , Yellow LED below GLOW PLUG will down , means EBE-II is prepare to work.
- 4 . When you need start your engineer, pull the Switch and lease , RUN LED will light in the same time , you need use your Glow Starter to drive your prop ; 10s later , RUN LED off and stop hot the Glow Plug automatically. if your start not success in the first touch, fellow the same steps and try again.
- 5 . If you see the SHORT Red LED light, means the circle with short problem. You need check them and take the battery pack off. restart only at power on again.
- 6 . Battery Voltage show the condition of your battery pack. Green means full, Yellow is in middle and Red means you need charge battery now.

Note: we advise you take a battery pack more than 1000mAh as supplier, because UBEC need huge current when it Power.